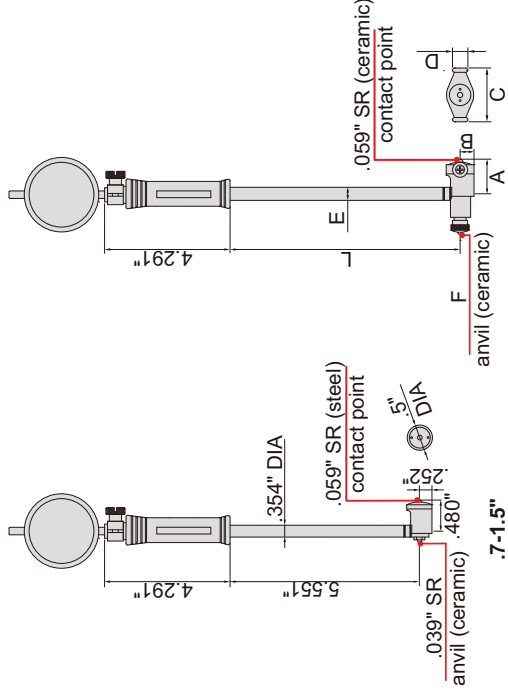


ATTENTION: NOT SUITABLE FOR
.00005" OR .0001" DIAL INDICATORS

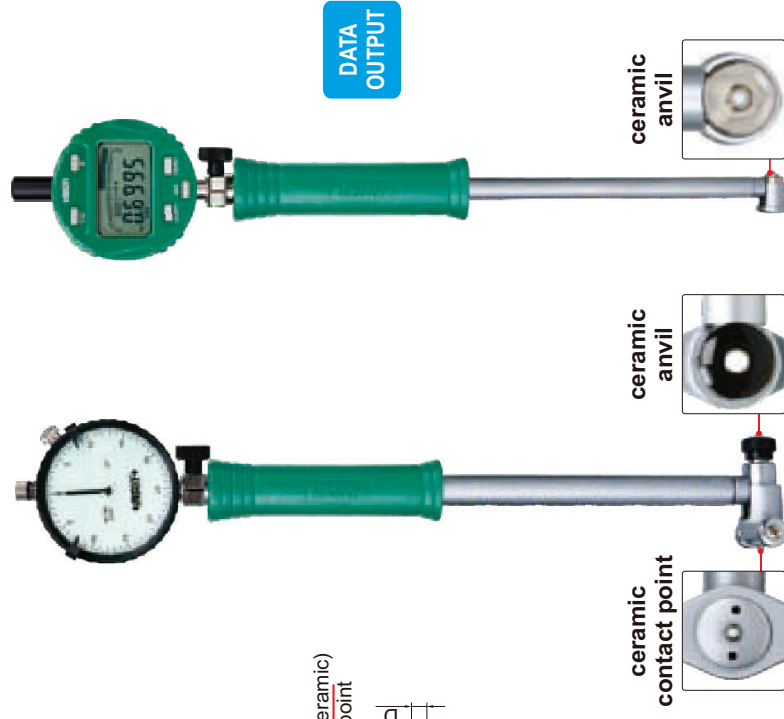
BORE GAGES

- Optional accessory:
setting ring (part no. **6313**),
long handle (part no. **7351**)



Range	A	B	C	D	E	F	L
1.4-2.4"	.866"	.354"	1.063"	.512" DIA	.504" DIA	.079" R	5.551"
2-6"	1.024"	.354"	1.378"	.512" DIA	.504" DIA	.079" R	5.551"
6-10"	2.224"	.512"	2.933"	.591" DIA	.571" DIA	.079" R	9.488"
10-16"	3.406"	.591"	3.996"	.591" DIA	.571" DIA	.098" R	9.488"

1.4" up to 16"



2123-15A

2323-6

With dial indicator

Part No.	Range	Indicator	Accuracy	Repeatability
2323-15	.7-1.5"		±.00075"	.00015"
2323-24	1.4-2.4"	dial indicator,	±.0009"	.00015"
2323-6	2-6"	range .25",	±.0009"	.00015"
2323-10	6-10"	graduation .0005"	±.0009"	.00015"
2323-16	10-16"		±.0009"	.00015"

With electronic indicator

Part No.	Range	Indicator	Accuracy	Repeatability
2123-15A	.7-1.5"		±.00075"	.0001"
2123-24A	1.4-2.4"	electronic indicator,	±.0009"	.0001"
2123-6A	2-6"	range .5"/12.7mm,	±.0009"	.0001"
2123-10A	6-10"	resolution	±.0009"	.0001"
2123-16A	10-16"	.0001"/0.002mm	±.0009"	.0001"

